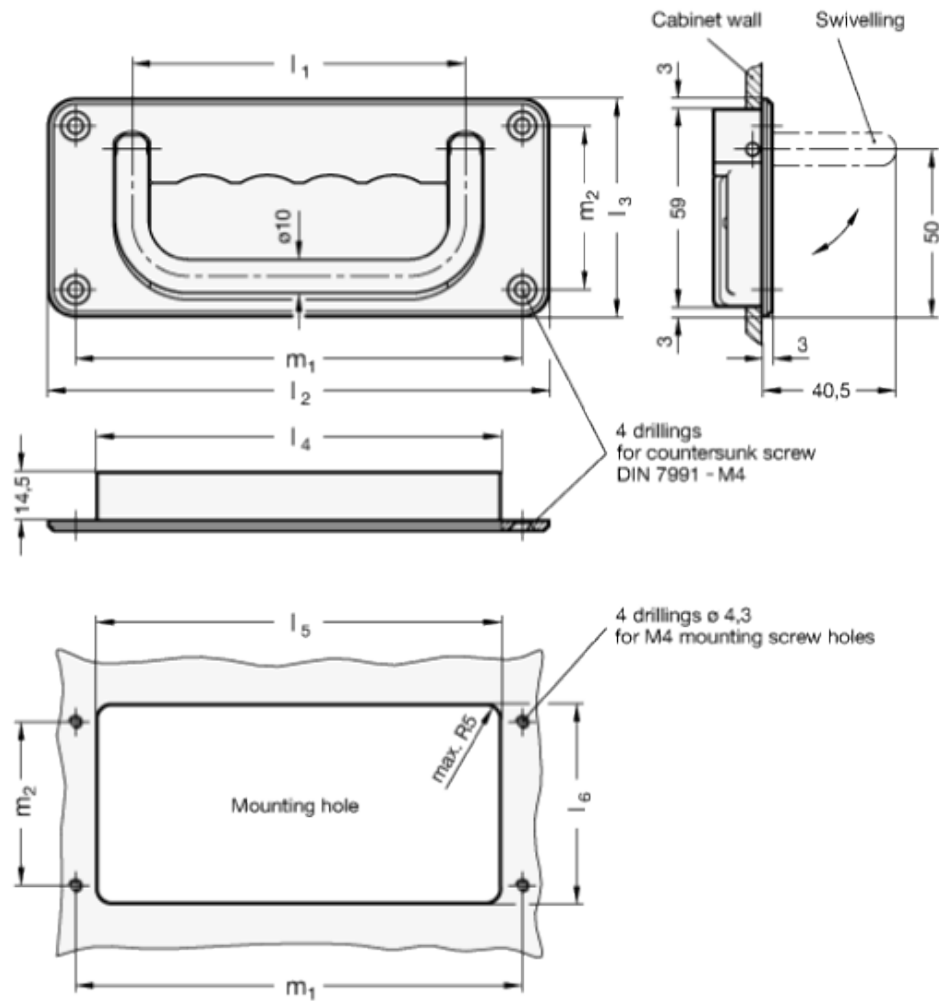


# GN 425.8

Folding handle with recessed tray





#### technical informations

##### Folding handle

- Chrome-plated steel CR.
- AISI 303 stainless steel NI , matte shot-blasted.

##### Tray

Die-cast zinc alloy.

- Version SW: RAL 9005 black colour, matte finish, epoxy resin coating.
- Version SR: RAL 9006 silver colour, matte finish, epoxy resin coating.

## Standard versions available

- Type A: with handle locking in the folded up or folded down position.
- Type B: with spring return of the handle in the folded down position.

## Assembly

Through holes for countersunk head screws. The handle is supplied assembled to the tray.

## Features and applications

The folding handles with recessed tray GN 425.8 are used if the handle is to protrude by a maximum of 3 mm when folded down.

In type A, the folding handle is held in the end positions by spring-loaded thrust pieces and, when folded out, remains easily accessible.

In Type B, the folding handle always spring-returns to the starting position after being released, preventing it from staying folded out and protruding with potentially interfering effect.

Standard Elements	Main dimensions								Weight
Description	l <sub>1</sub>	l <sub>2</sub>	l <sub>3</sub>	l <sub>4</sub>	l <sub>5</sub>	l <sub>6</sub>	m <sub>1</sub>	m <sub>2</sub>	g
GN 425.8-100-CR-SW-A	100	150	65	121	122	60	134	49	339
GN 425.8-100-CR-SR-A	100	150	65	121	122	60	134	49	339
GN 425.8-100-CR-SW-B	100	150	65	121	122	60	134	49	341
GN 425.8-100-CR-SR-B	100	150	65	121	122	60	134	49	341
GN 425.8-120-CR-SW-A	120	170	65	141	142	60	154	49	376
GN 425.8-120-CR-SR-A	120	170	65	141	142	60	154	49	376
GN 425.8-120-CR-SW-B	120	170	65	141	142	60	154	49	380
GN 425.8-120-CR-SR-B	120	170	65	141	142	60	154	49	380
GN 425.8-100-NI-SW-A	100	150	65	121	122	60	134	49	339
GN 425.8-100-NI-SR-A	100	150	65	121	122	60	134	49	339
GN 425.8-100-NI-SW-B	100	150	65	121	122	60	134	49	341
GN 425.8-100-NI-SR-B	100	150	65	121	122	60	134	49	341
GN 425.8-120-NI-SW-A	120	170	65	141	142	60	154	49	376
GN 425.8-120-NI-SR-A	120	170	65	141	142	60	154	49	376
GN 425.8-120-NI-SW-B	120	170	65	141	142	60	154	49	380
GN 425.8-120-NI-SR-B	120	170	65	141	142	60	154	49	380



ELESA and GANTER models all rights reserved in accordance with the law. Always mention the source when reproducing our drawings.

STANDARD MACHINE ELEMENTS WORLDWIDE